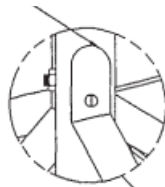




iBEAM Non Penetrating Roof Mount Diagram™

Secure the brace tubes to the mast using 5/16 x 3 carriage bolts w/nut and lockwasher. Typ 3 places.



Note: The brace tubes connecting to the top and bottom base angles will secure thru the bottom hole at the top of the mast.

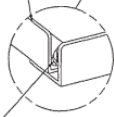
SEE PAGE 2 FOR IMPORTANT NOTES AND INSTALLATION INFORMATION!

The brace tube will fit between the two center base angles.

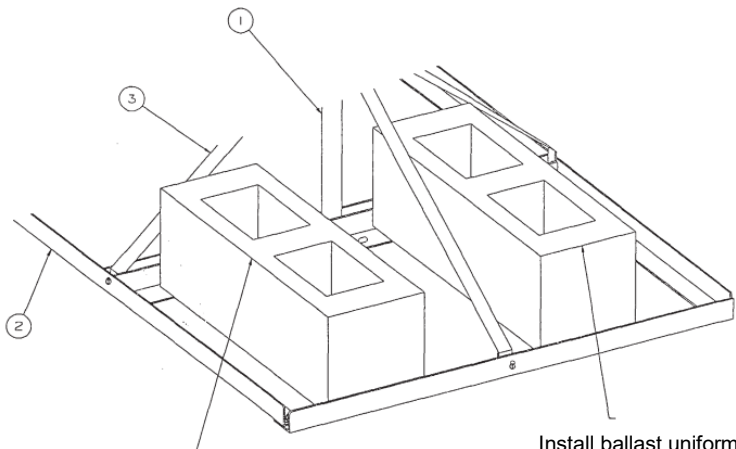
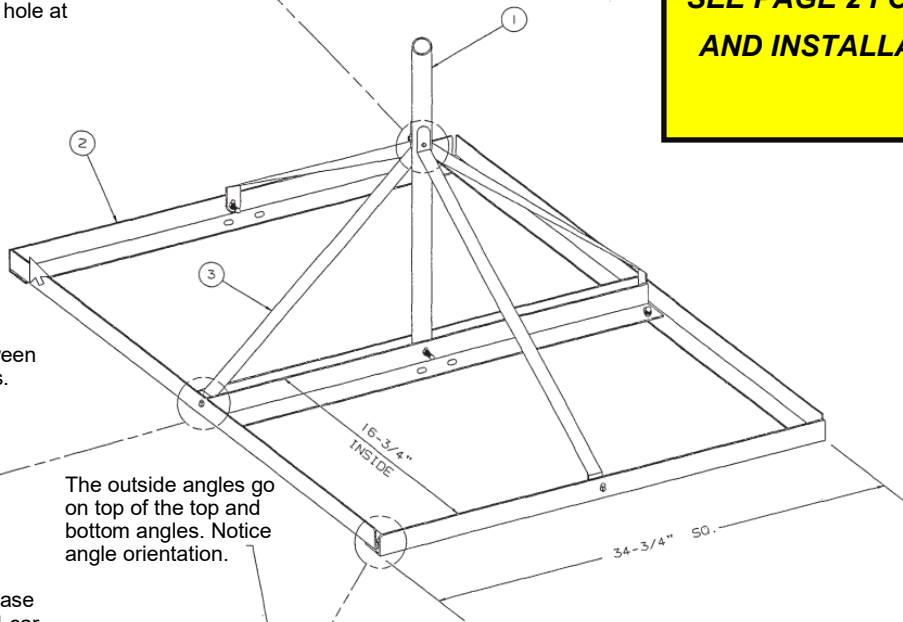


The outside angles go on top of the top and bottom angles. Notice angle orientation.

Secure brace tube to the base angle by using a 5/16 x 3/4 carriage bolt w/nut and lockwasher. Typ. 4 places



Install 5/16 x 3/4 carriage bolt w/ nut and lock washer thru the two angles. Type 2 places on each angle.



Place ballast material evenly on each side.

Install ballast uniformly distributed over all base angles (provided by others).



iBEAM Non Penetrating Roof Mount Diagram™

Important Notes:

1. Ballast data should be determined by a local professional engineer. Adequate ballast material must be determined and provided by others to prevent overturning and sliding at the design wind load.
2. Prior to installation, verify that the installation roof material and supporting structure have been investigated and found capable of withstanding all loads imposed by the proposed camera system. Confirm that the supporting surfaces, anchors, and/or safety cables, if required, have been found to be adequate to resist the reactions from the camera system and that the installation will be in conformance with all applicable local, state and federal requirements.
3. All camera system installations must be grounded to meet applicable codes.
4. Safety cable kits consisting of a 3/16 EHS safety cable (3990 lbs. ultimate strength) with six clamps to secure mount and/or ballast are available as an option. Use three cable clamps at each end connection with the U-bolt on the dead end of the cable.
5. When the larger masts are used, the brace tubes will secure to the base angles on the outside instead of the inside.
6. When assembling the roof mount it is best to assemble all tubes and angles loose. After the tube braces are in place and square, then go back and tighten down all bolts.
7. Ballast material should always be placed prior to mounting the camera equipment and mount secured to prevent hazards from occurring under extreme wind loading conditions.
8. Precautions should always be taken to prevent the inadvertent removal of ballast material after installation and to insure that ballast material is fully supported by the ballast support angles.
9. High strength bolts are provided. Nut locking is dependent upon initial tension in bolt. Inspect mount, antenna and tightness of nuts at six month maximum intervals.

BILL OF MATERIAL

<i>Item</i>	<i>QTY</i>	<i>Description</i>	<i>DWG NO</i>
1	1	Mast support	A950177
2	6	Base angles	A950178
3	4	Brace tubes	A950179
4	1	Hardware kit	C950129
	3	Bolt 5/16 x 3 (Carriage)	
	12	Bolt 5/16 x 3/4 (Carriage)	
	15	Nut 5/16	
	15	Lock washer 5/16	
	1	Assembly instructions	
	1	Warning form #902479	
	1	Safety information	
	1	Catalog sheet	

Have additional questions not covered by the above installation guide?

Connect with our Support Team:
800.403.0688 or support@ibeamsystems.com