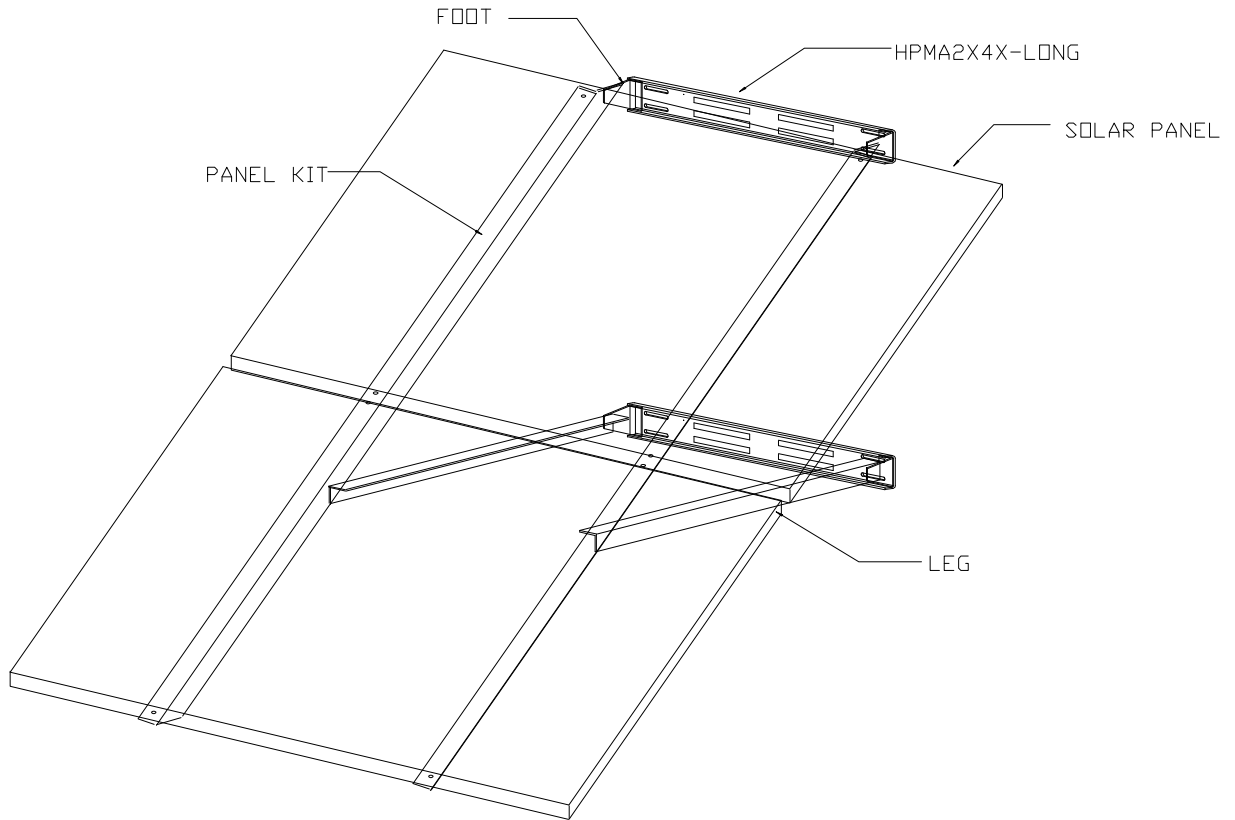
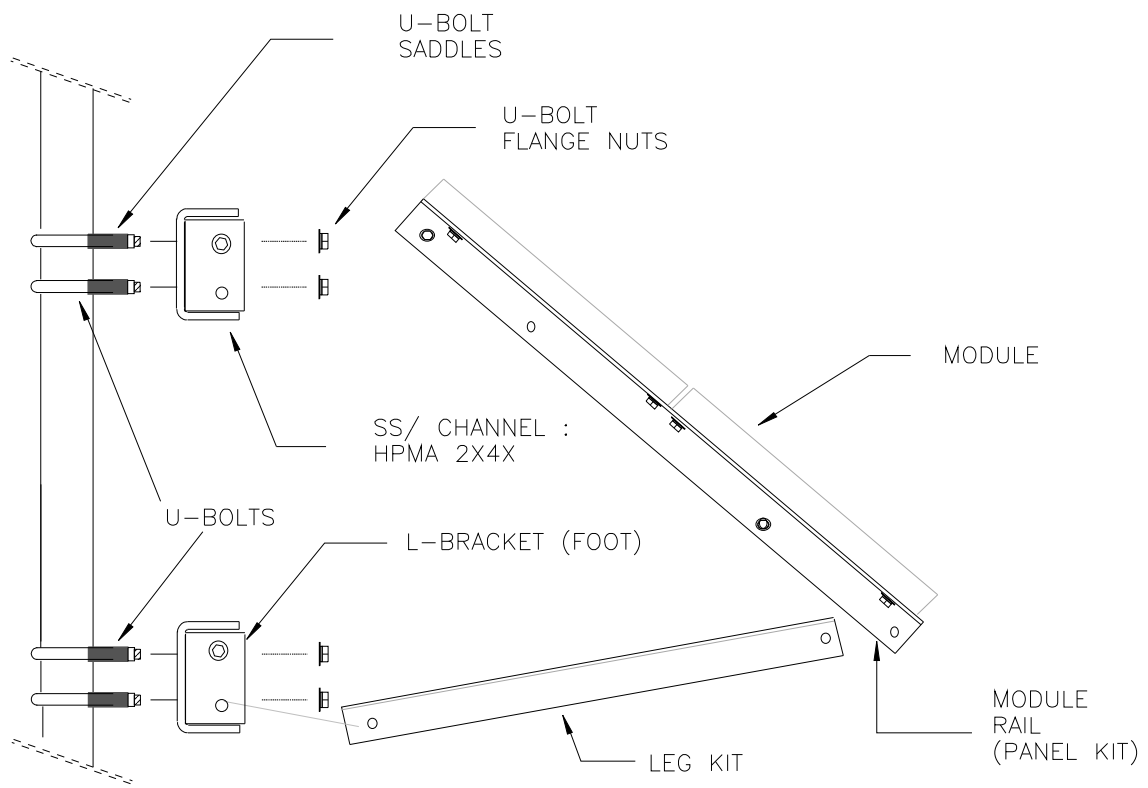


2X SPM SERIES



AUTOMATION-X

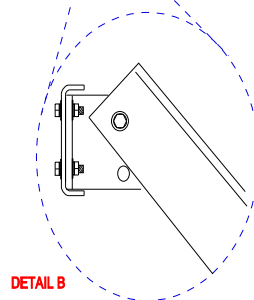
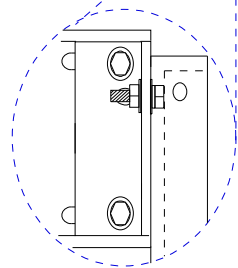
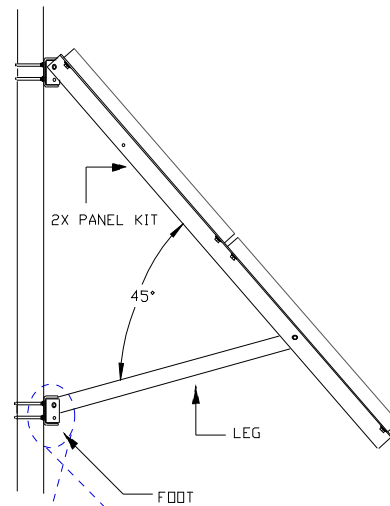
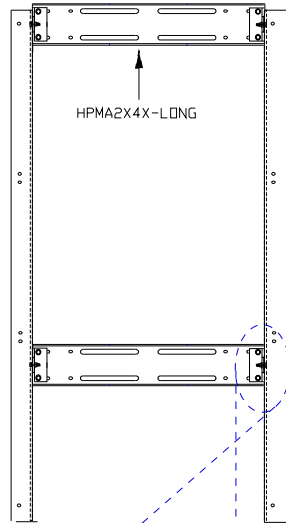
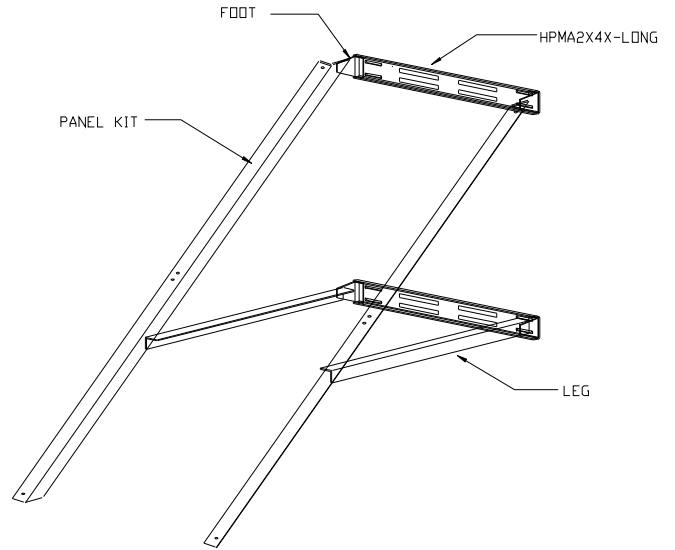
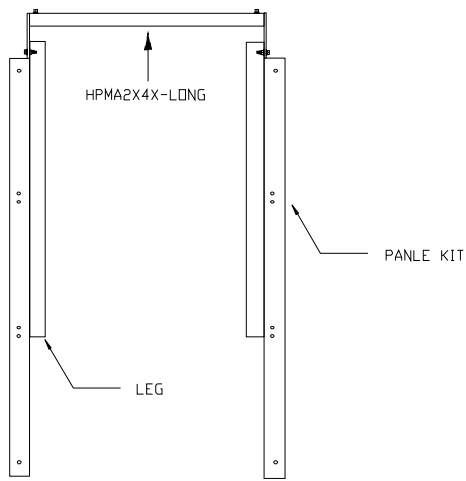
"Wellsite Automation Buying Made Simple"



SIDE VIEW

AUTOMATION-X

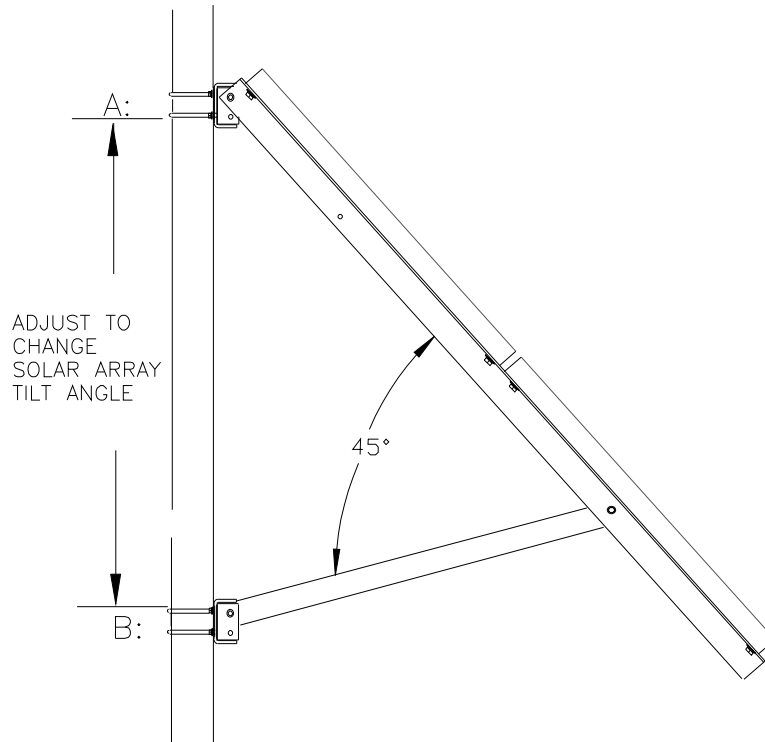
"Wellsite Automation Buying Made Simple"



AUTOMATION-X

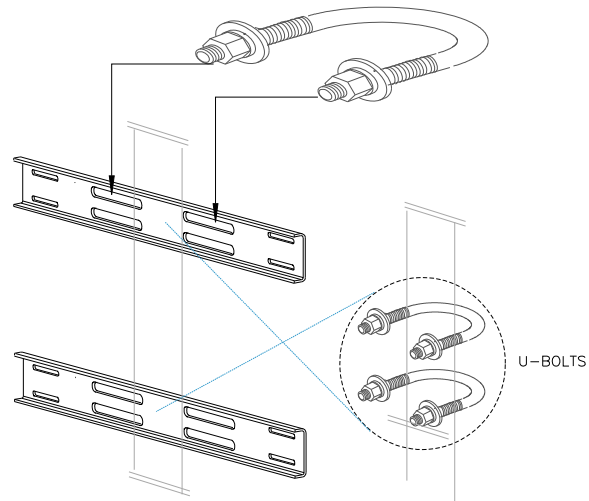
"Wellsite Automation Buying Made Simple"

TILT ANGLE : 45°

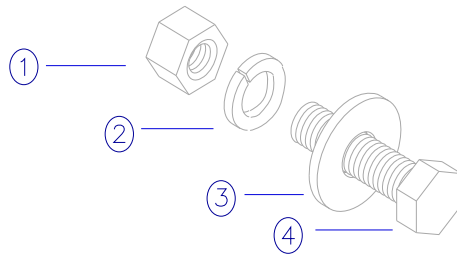


ATTACH CROSS BRACKETS (HPMA2X4X) TO POLE USING U-BOLTS

(U-BOLTS TO BE SUPPLIED BY OTHERS)



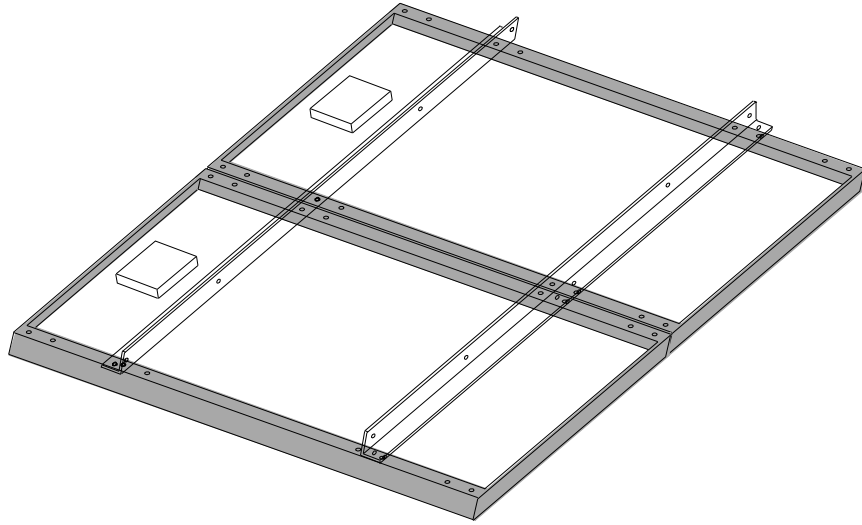
HARDWARE



1. 316 SS NUT
2. 316 SS LW
3. 316 SS FW
4. 316 SS BOLT

UPPER SIDE OF POLE : HPMA2X4X-LONG

- ATTACH PANEL KIT TO BACK OF SOLAR MODULES-



- ATTACH PANEL KIT TO FOOT (HPMA2X4X-LONG)



LOWER SIDE OF POLE : HPMA2X4X-LONG

- ATTACH FOOT TO HPMA2X4X-



AUTOMATION-X

"Wellsite Automation Buying Made Simple"

- ATTACH LEG TO FOOT



- ATTACH LEG TO PANEL KIT

